

# NEW KCDA Contract

**Optimize your KCDA  
Purchasing Power!**

**KCDA Plumbing & Repair  
Parts Contract #24-245**

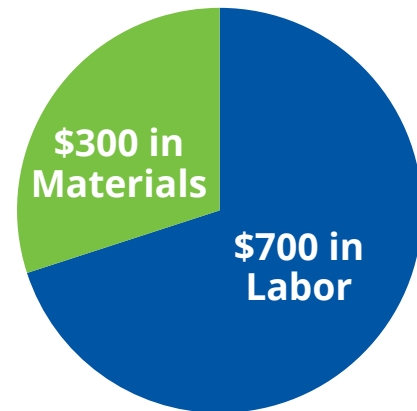


Order Direct | Ship Direct | Invoice Direct from The Part Works



We have proudly served public schools for 44 years. When you combine the value of KCDA with our vast expertise you get:

- Risk reduction
- Technical Expertise
- Sourcing of hard-to-find parts
- Labor cost reduction
- Prepaid shipping on \$150+ order
- Easy online purchasing
- Managed inventory
- Education & Government experience
- Client CARE reviews



**On average for each \$1000 project spend, at least \$700 is spent on labor.**

Experienced advisors reduce labor through:

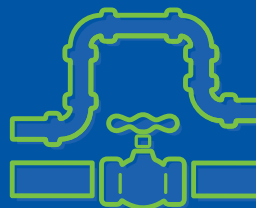
- Product identification
- Product research
- Preventing ordering errors



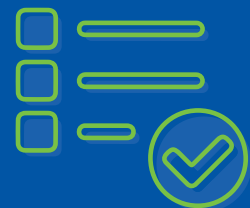
**On Site  
Consulting**



**Product  
Identification**

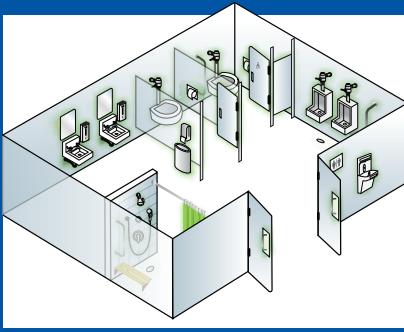


**Hard to  
Find Parts**



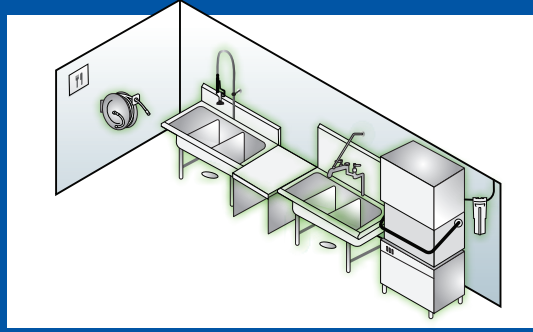
**Inventory  
Management**

# The Part Works is your sourcing expert for all plumbing and mechanical facility maintenance products.



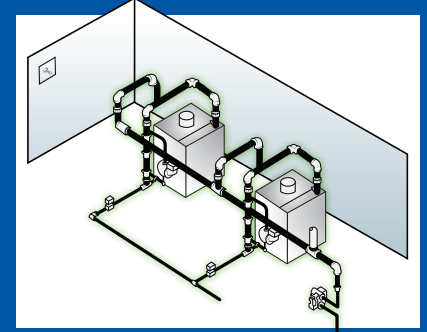
## RESTROOM

High use and high maintenance. The Part Works knows this area well and can help you effectively keep them operating.



## FOOD SERVICE

Food service has special requirements for quality and reliability. The Part Works are experts in this area and can help you effectively keep them operating.



## MECHANICAL

The Part Works understands this area and can supply many of the critical parts.

**SLOAN**

**Haws**  
Since 1906

**ASI**

**CHICAGO FAUCETS**  
Geberit Group



**ELKAY**

**SYMMONS**

**WATTS**

**KOHLER**

**General PIPE CLEANERS**



**ZURN WILKINS**

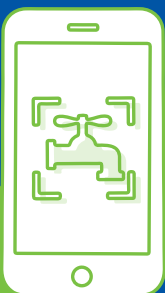
Food Service

Water Fountains

Safety Equipment

Backflow

Flushometers



## Have a question?

### TEXT-A-TECH

Send a picture and message to:  
**(206) 900-9093**



## Online Services

Quick and Easy Purchasing:  
[www.ThePartWorks.com](http://www.ThePartWorks.com)

- Ordering
- Tracking
- Current pricing
- Order confirmations
- Shipment notifications
- Access packing slips & invoices anytime
- Purchase history